

MV-LE200-*W24

Digital Series Light Controller



Introduction

MV-LE200-*W24 digital light controller supports outputting multichannel light sources and different control modes of light source. It provides I/O connectors, device management interface, and corresponding light source controller software. The digital light controller helps users realize fast and convenient deployment of light source on site.

Key Features

- Supports different control modes of light source, including control panel and software.
- Supports using serial port or network interface to set parameters and manage the device.
- Provides multiple I/O interfaces for external trigger.
- Supports installation via slide rail or hole.
- Supports overcurrent, overload, short circuit protection.

Available Model

- 4-channel, output power 200 W: MV-LE200-200W24-4TD
- 4-channel, output power 120 W: MV-LE200-120W24-4TD
- 4-channel, output power 60 W: MV-LE200-60W24-4TD
- 6-channel, output power 90 W: MV-LE200-90W24-6D
- 2-channel, output power 48 W: MV-LE200-48W24-2D

Specification

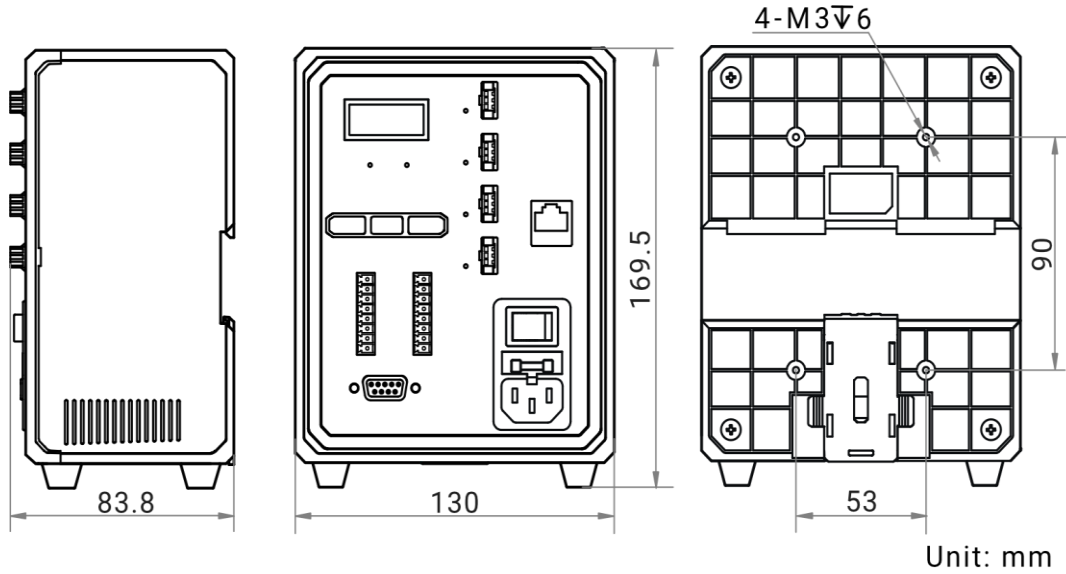
Model	MV-LE200-200W24-4TD	MV-LE200-120W24-4TD	MV-LE200-60W24-4TD
Performance			
Drive mode	Digital, constant voltage		
Lighting mode	Continuous, strobe		
PWM frequency	125 kHz		
Strobe overdrive	Not support		
Channel	4-channel		
Dimming mode	Control panel (via pressing button), software (serial port or network interface)		
Brightness level	0 to 255		
Lighting response time	< 10 μ s	25 μ s to 35 μ s	
Trigger mode	External trigger and internal trigger		
Communication protocol	UDP, Serial		
Applicable product	Ring light, bar light, flat light, coaxial light, etc.		
Electrical feature			
Input voltage	100 VAC to 240 VAC, 50 Hz/60 Hz		
Input current	1.8 A (115 VAC) 1 A (230 VAC)	2.1 A (115 VAC) 1.2 A (230 VAC)	1.8 A (115 VAC) 1 A (230 VAC)
Output voltage	24 VDC		
Output current	Max. 8.3 A	Max. 5 A	Max. 2.5 A
Output power	Max. 200 W	Max. 120 W	Max. 60 W
Output current for each channel	Max. 3 A		Max. 2.5 A
Trigger in	High level 4.5 VDC to 24 VDC, low level 0 VDC to 2 VDC		
Trigger out	High level 10 VDC to 24 VDC, low level 0 VDC to 2 VDC		
Mechanical			
Power supply interface	C13 220 VAC interface		
Console interface	RJ45 network interface, DB9F serial port		
Digital I/O	Opto-isolated input \times 4; Opto-isolated output \times 4		
Lighting output connector	SMR-03V-BC		
Dimension	130 mm \times 83.8 mm \times 169.5 mm (5.1" \times 3.3" \times 6.7")		
Shell material	Plastic		
Weight	Approx. 733 g (1.6 lb.)		
Temperature	Working temperature: 0 $^{\circ}$ C to 40 $^{\circ}$ C (32 $^{\circ}$ F to 104 $^{\circ}$ F) Storage temperature: -20 $^{\circ}$ C to 60 $^{\circ}$ C (-4 $^{\circ}$ F to 140 $^{\circ}$ F)		
Humidity	20% RH to 85% RH (no condensation)		
Ingress protection	IP30		
Cooling mode	Fan cooling		
General			
Certification	CE, KC		

Specification

Model	MV-LE200-90W24-6D	MV-LE200-48W24-2D
Performance		
Drive mode	Digital, constant voltage	
Lighting mode	Continuous, strobe	
PWM frequency	125 kHz	
Flash output	Not supported	
Channel	6-channel	2-channel
Dimming mode	Control panel (via pressing button), software (serial port)	
Brightness level	0 to 255	
Lighting response time	< 10 μ s	
Trigger mode	External trigger and internal trigger	
Communication protocol	Serial	
Applicable product	Ring light, bar light, flat light, coaxial light, etc.	
Electrical feature		
Input voltage	24 VDC	
Input current	4.7 A	2.5 A
Output voltage	24 VDC	
Output current	Max. 3.75 A	Max. 2 A
Output power	Max. 90 W	Max. 48 W
Output current for each channel	Max. 3 A	Max. 2 A
Trigger in	High level 4.5 VDC to 24 VDC, low level 0 VDC to 2 VDC	
Trigger out	High level 10 VDC to 24 VDC, low level 0 VDC to 2 VDC	
Mechanical		
Power supply interface	5.08 mm \times 2 terminal block	
Console interface	DB9F serial port	
Digital I/O	Opto-isolated input \times 6 Opto-isolated output \times 2	Opto-isolated input \times 2 Opto-isolated output \times 2
Lighting output connector	SMR-03V-BC	
Dimension	90 mm \times 54.1 mm \times 139.5 mm (3.5" \times 2.1" \times 5.5")	
Shell material	Plastic	
Weight	Approx. 205 g (0.5 lb.)	Approx. 188 g (0.4 lb.)
Temperature	Working temperature: 0 $^{\circ}$ C to 40 $^{\circ}$ C (32 $^{\circ}$ F to 104 $^{\circ}$ F) Storage temperature: -20 $^{\circ}$ C to 60 $^{\circ}$ C (-4 $^{\circ}$ F to 140 $^{\circ}$ F)	
Humidity	20% RH to 85% RH (no condensation)	
Ingress protection	IP30	
Cooling mode	Natural cooling	
General		
Certification	CE, KC	

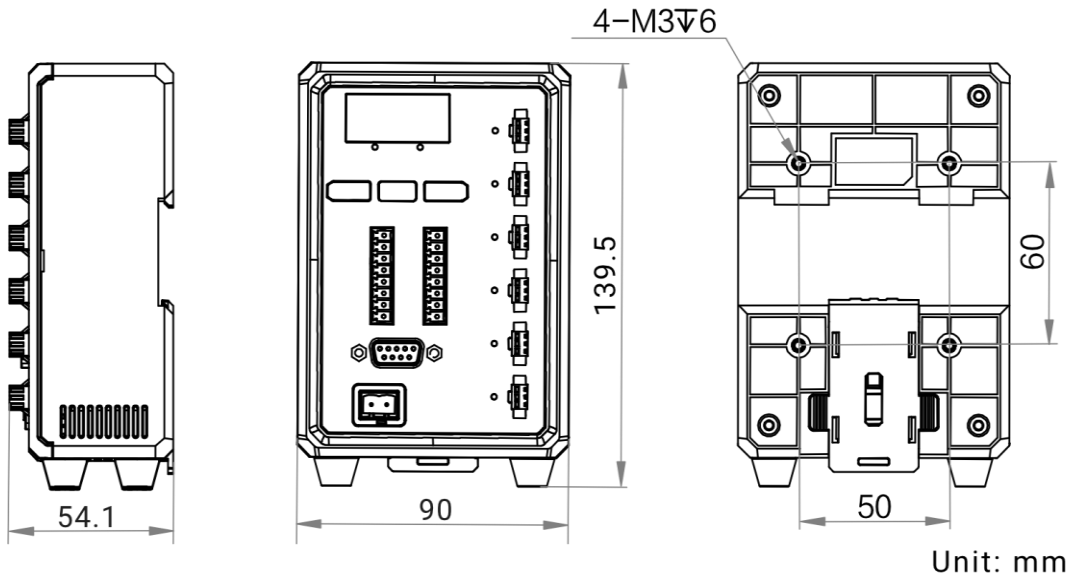
Dimension

MV-LE200-200W24-4TD & MV-LE200-120W24-4TD & MV-LE200-60W24-4TD:



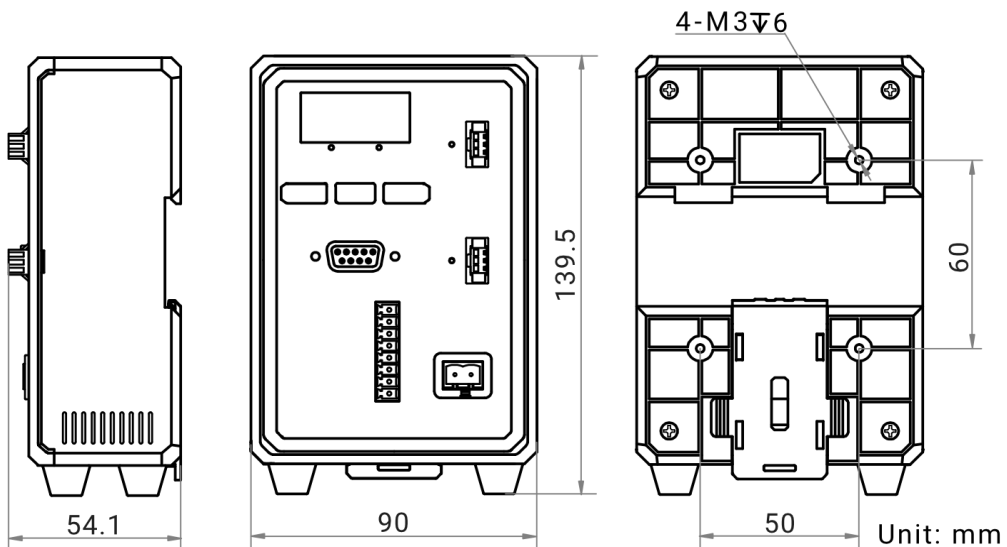
Unit: mm

MV-LE200-90W24-6D:--



Unit: mm

MV-LE200-48W24-2D:



Unit: mm